

Ordering Information

PARAFLEX MODEL # 1600-PL- 240/480/600/750 -2

Parallel System for 16' 6" Switch Points
Thermal-Flex switch heating system includes

- 2- 19' Stock rail heaters
- 2- 7' Crib heaters (*Number required optional*)
- 28' Aluminum shield and insulation
- 32 Plated spring steel track clips
- 25' #8 Direct burial cable

Specifications

Voltage - 240/480/600/750 VAC
Power - 7.6 KW
Watt Density - 100 W/F

PARAFLEX MODEL # 3000-PL- 240/480/600/750 -3

Parallel System for 30' Switch Points
Thermal-Flex switch heating system Includes.

- 2- 28' Stock rail heaters
- 3- 7' Crib heaters (*Number required optional*)
- 48 Aluminum shield and insulation
- 46 Plated spring steel track clips
- 50' #8 Direct burial cable

Specifications

Voltage - 240/480/600/750 VAC
Power - 11.3 KW
Watt Density - 100 W/F

PARAFLEX MODEL # 3900-PL- 480/600/750-4

Parallel System for 39' Switch Points
Thermal-Flex switch heating system includes.

- 2- 36' Stock rail heaters
- 4- 7' Crib heaters (*Number required optional*)
- 64' Aluminum shield and insulation
- 66 Plated spring steel track clips
- 50' #8 Direct burial cable

Specifications

Voltage - 480/600/750 VAC
Power - 14.8 KW
Watt Density - 100 W/F

MODEL #3900 IS 480 VAC ONLY, FOR 240 VAC, USE 28' ELEMENTS

*Please Note: When ordering complete systems, voltage is specified by (240 / 480 / 600)
Last number of model designates crib heaters required, please see spare parts price sheet for adjusted pricing*

P.O. Box 3022 Branford, Connecticut 06405 U.S.A.
Phone/Fax (203) 484-2776 Email: thermalinc2470@sbcglobal.net
www.tflexsys.com



Spare Parts Ordering Information

PARAFLEX RAIL HEATERS

Model #	Description
1919S – PL-240/480/600/750.....	19' Rail Heater (19' element) 1900 Watts
2828S – PL-240/480/600/750.....	28' Rail Heater (28' element) 2800 Watts
3636S – PL-480/600/750 (only).....	36' Rail Heater (36' element) 3600 Watts

CRIB HEATERS

Model #	Description
0619 – PL-240/480/600/750.....	7' Crib Heater (19' element) 1900 Watts

Please Note: When ordering individual heaters voltage is specified by last three numbers of model (240 / 480 /600)

ACCESSORIES

ASI – 04.....	4' Alum. shield & insulation
AS – 04.....	4' Alum. shield
I – 04.....	4' Thermal insulation
I – 28.....	28' Insulation kit for 16' 6" system
I – 44.....	44' Insulation kit for 30' system
I – 56.....	56' Insulation kit for 39' system
SC – 06.....	6" Plated spring track clip
SC – 05.....	5 1/2" Plated spring track clip
C – 32.....	Clip Kits for model # 1600 system
C – 46.....	Clip Kits for model # 3000 system
C – 58.....	Clip Kits for model # 3900 system

Please contact the factory or your local representative for ordering information on controls

P.O. Box 3022 Branford, Connecticut 06405 U.S.A.
Phone/Fax (203) 484-2776 Email: thermalinc2470@sbcglobal.net
www.tflexsys.com

*High Capacity Switch & Transit Heating Systems * Heat Trace & Temperature Maintenance Equipment *

ORDERING INFORMATION

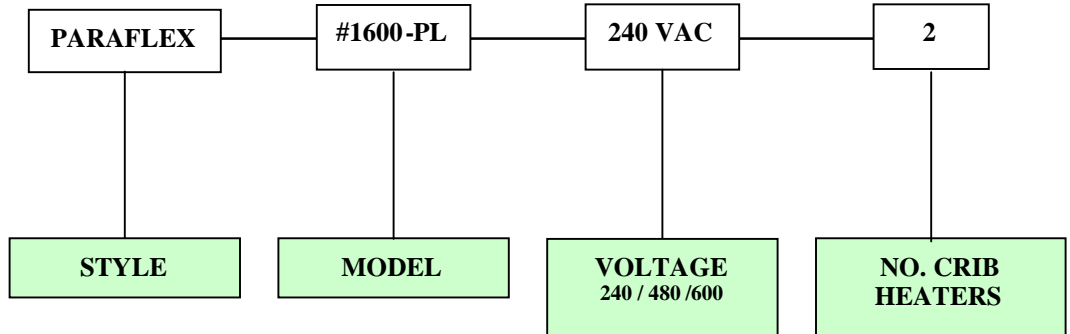
COMPLETE SYSTEMS

How to order:

Example

PARAFLEX 16'6"
Switch Heating System
Rated 7.6 kw @ 240 VAC
With two 7' Crib Heaters

PARAFLEX MODEL
1600-PL-240-2



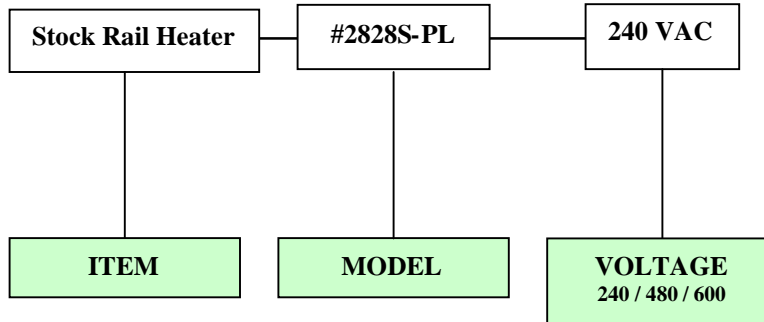
SPARE HEATERS

How to order:

Example

Stock Rail Heater for 30'
Switch Heating System
Rated 2.8 kw @ 240 VAC

Stock Rail Heater
Model # 2828S-PL-240



How to order:

Example

Crib Heater for Switch
Heating System Rated 1.9
KW @ 480 VAC

Crib Heater
Model # 0619-PL-480

